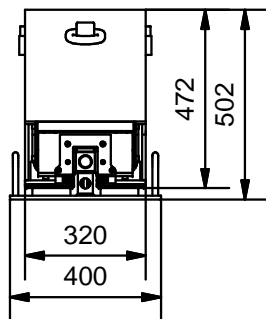
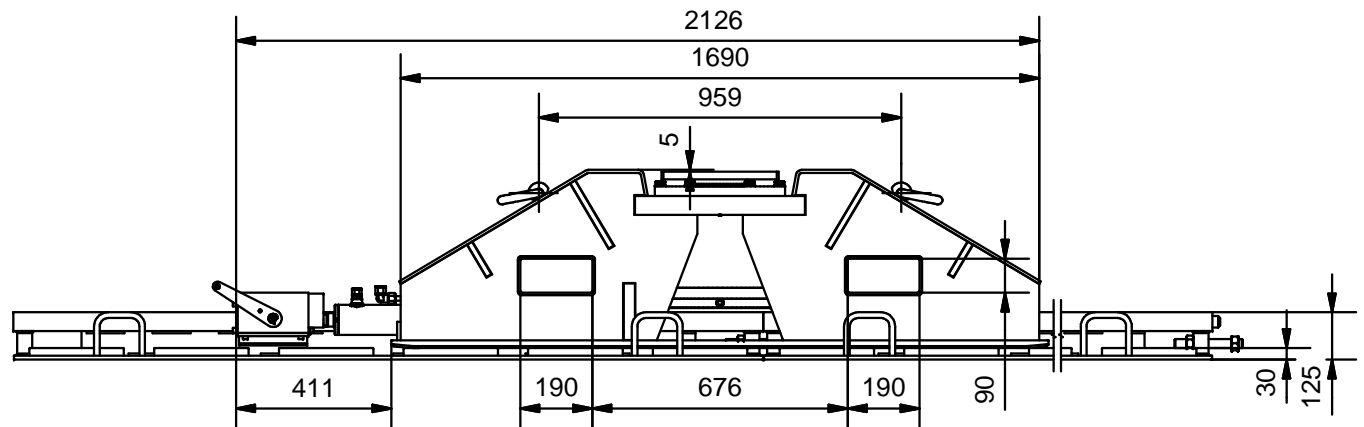
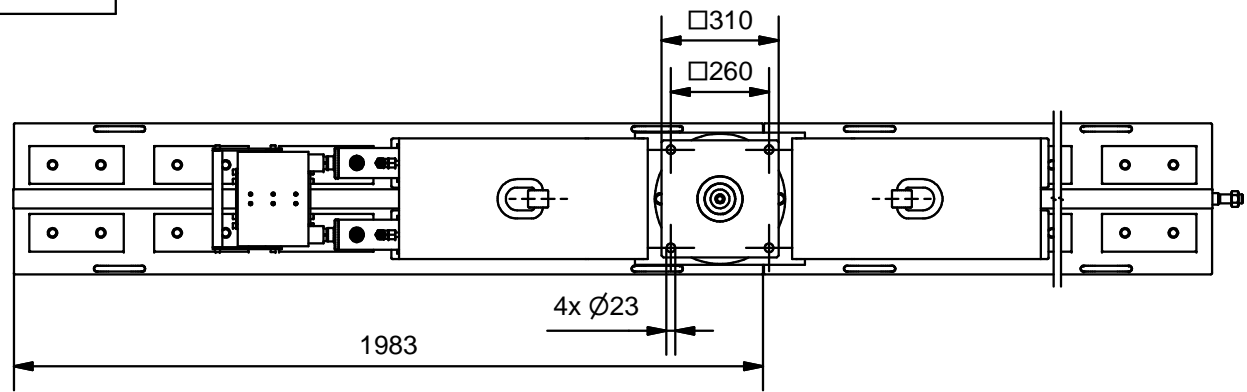
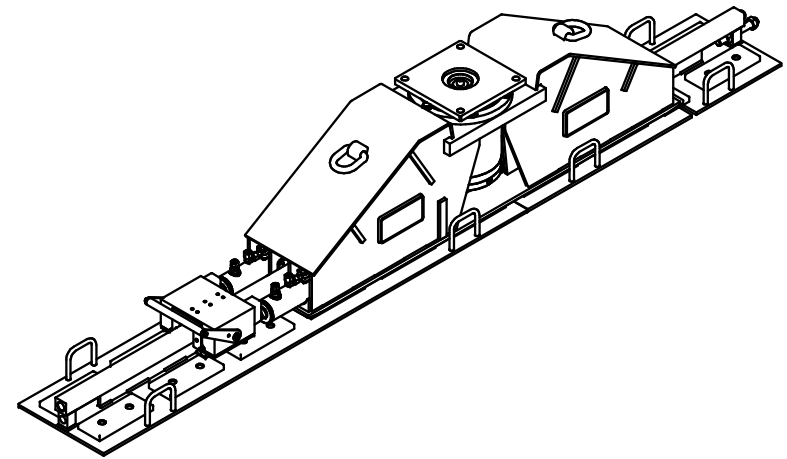


Features HSKJ1250

Self weight skidshoe:	790 kg	(1742 lbs)
Self weight skidtrack:	120 kg	(265 lbs)
Capacity:	1250 kN	
Max. operating pressure:	330 Bar	(4786 psi)
Push capacity:	220 kN	
Pull capacity:	160 kN	
Max. lift stroke:	175 mm	(6,89")
Max. push/pull stroke:	600 mm	(23,62")
Anchor block capacity:	300 kN	hold function



OPAALSTRAAT 44, 7554 TS HENGELO HOLLAND
 PO BOX 421, 7550 AK HENGELO HOLLAND
 TELEPHONE 074-2422045 FACSIMILE 074-2430338

ENERPAC
 COPYRIGHTS RESERVED

3rd ANGLE
 PROJECTION

Model Number: **HSKJ1250**
 Drawing Number: **02884.50.00.00**

Main Assembly Number: **02884.01.00.00**
 REV.: **0** DATE: **01-11-2013** SCALE: **1:20** FORM: **A4**